

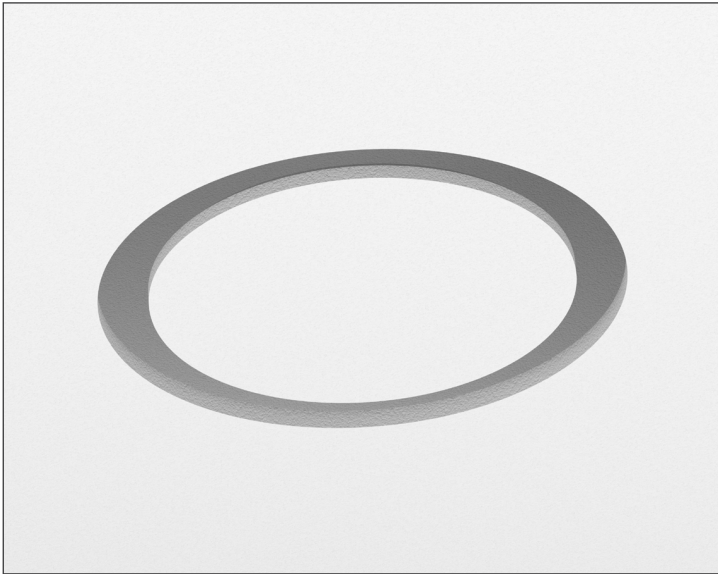
INSTALLATION INSTRUCTIONS

Shadowline Round Diffuser

Code: 8162

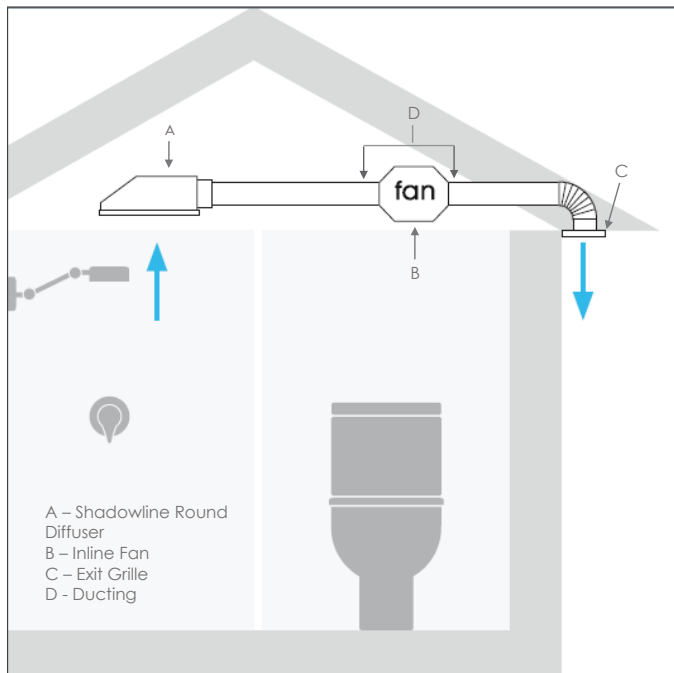
expella™
VENTILATION
SERIES

exclusive to Newtech



PRODUCT OVERVIEW

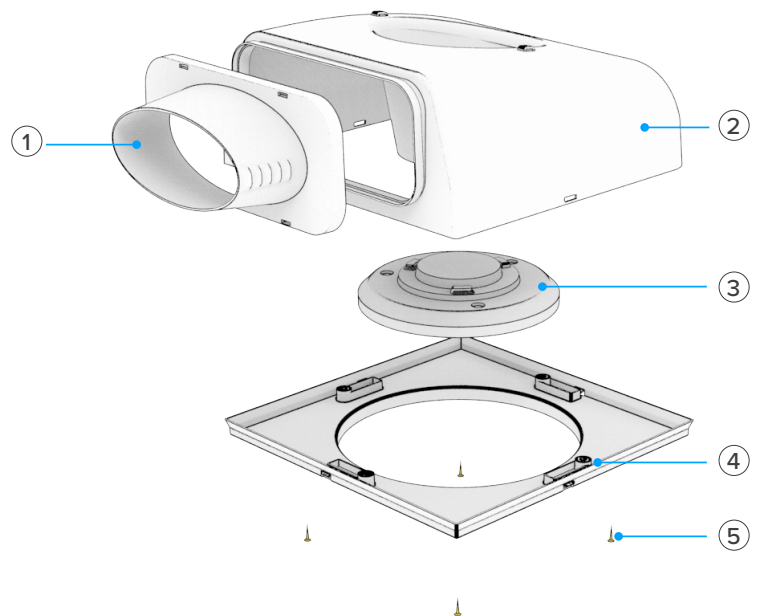
The Shadowline Round Diffuser is an internal ceiling grille that allows air to be channelled through the ventilation system. This product is designed to be discreet – almost invisible, sitting inside the ceiling cavity, with a round slot set into the ceiling allowing air extraction from a domestic wet room.



A – Shadowline Round Diffuser
B – Inline Fan
C – Exit Grille
D - Ducting

*Product includes grille only. Fan and duct sold separately.
Contact Newtech for details.

PACKAGE CONTENTS



Item	Description
1	Spigot (for ø150mm Flexible duct)
2	Plenum
3	Baffle
4	Base and 4 catches
5	Installation screws, 4 x 8G x 20mm

INSTALLATION INSTRUCTIONS

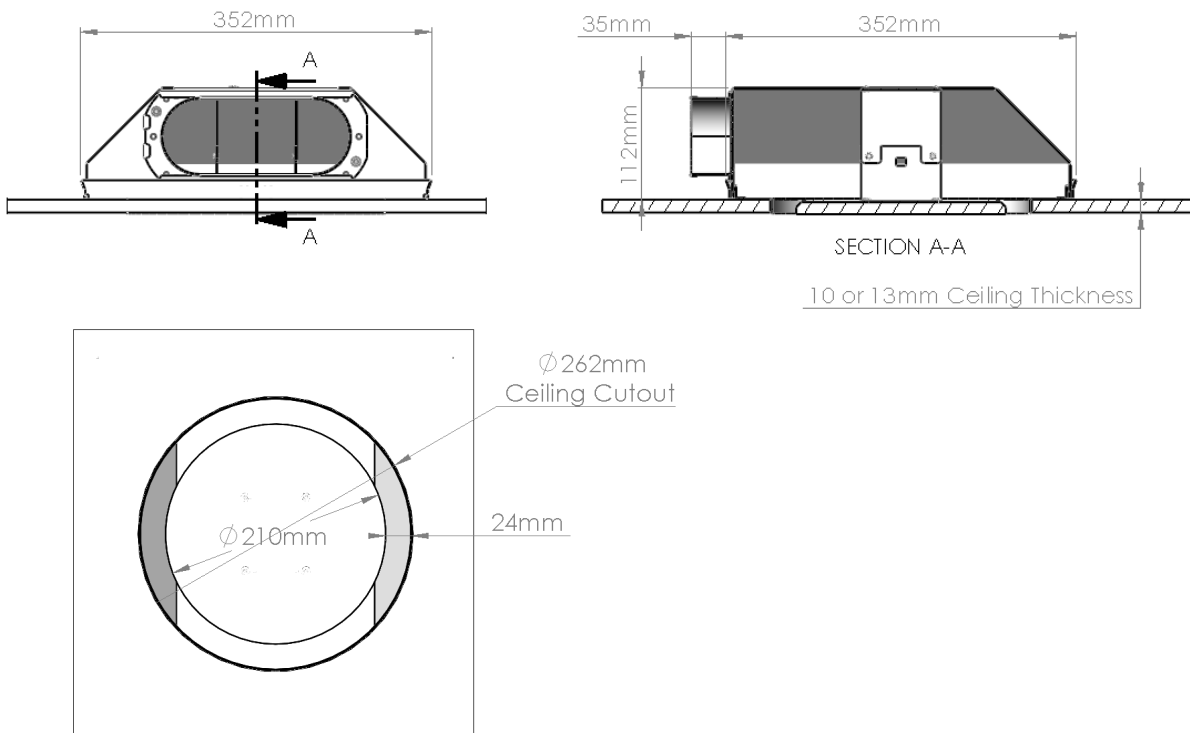
Shadowline Round Diffuser

Code: 8162

expella™
VENTILATION
SERIES

exclusive to Newtech

DIMENSIONS



INSTALLATION

The Newtech Shadowline Round diffuser should be installed by qualified tradespeople.

Tools/fasteners requires

- Tape measure
- Set Square
- Gyprock saw
- Allen Key Set
- Cordless Drill (3.2mm drill bit)
- Impact driver (Phillip's bit)
- General Plastering equipment
- 3mm packers (required for 10mm ceiling sheet)
- Equipment included when purchased as an exhaust kit
 - Large cable tie
 - Duct Tape
 - 150mm Flexible Duct

Choose Ceiling Location

- Close to source of moisture (e.g. shower or clothes drier)
- Suitable clearance for diffuser – away from ceiling framework and other services

Install Fan

Install ducted inline fan (as instructed in fan manual). Route ducting to the diffuser location. The diffuser requires 150mm flexible ducting for connection to the diffuser spigot.

Rough-in Diffuser

Important:

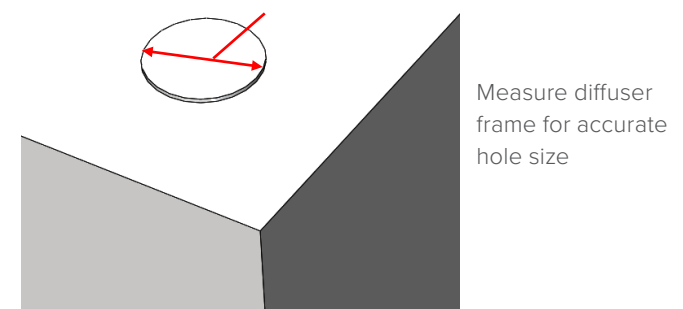
If access to the ceiling cavity is limited, **the grille plenum and frame will need to be suspended inside the cavity prior to the ceiling sheet installation.**

Prior to sheeting, the grille should be temporarily held in place inside the cavity, close to the final location. After sheeting, the grille can be retrieved through the grille cut out in the ceiling.

Cut Ceiling Sheet

Mark and cut the $\varnothing 265$ mm ceiling hole. Measure the diffuser frame for accurate hole size

Ceiling Cut-out 265mm Diameter



INSTALLATION INSTRUCTIONS

Shadowline Round Diffuser

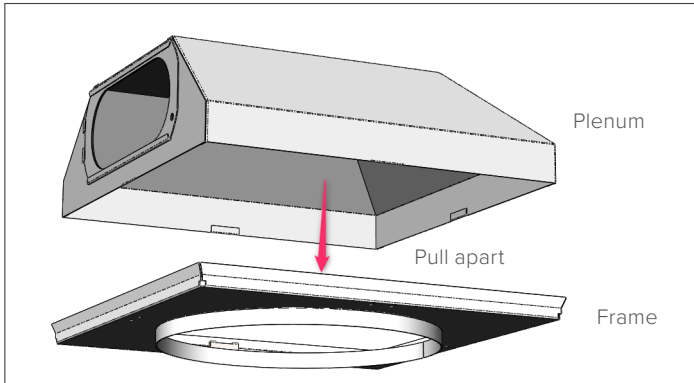
Code: 8162

expella™
VENTILATION
SERIES

exclusive to Newtech

Install the diffuser frame

Access it through ceiling hole and detach frame.

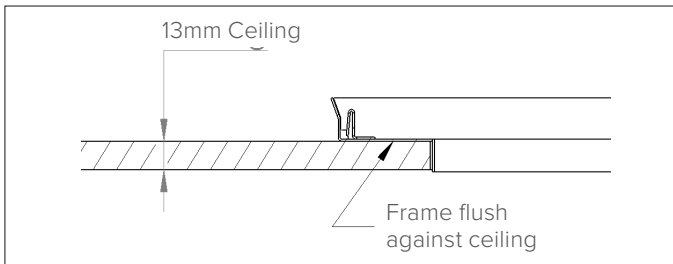


Mount Frame to Ceiling

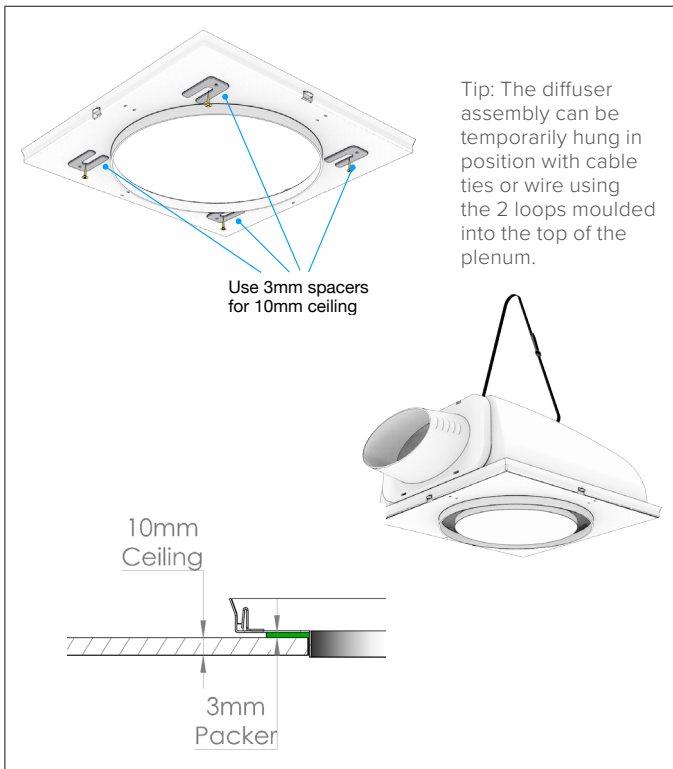
Access it through ceiling hole and detach frame.

Important:

For 13mm ceiling thickness, the frame must be mounted flush to the top side of the ceiling sheet.

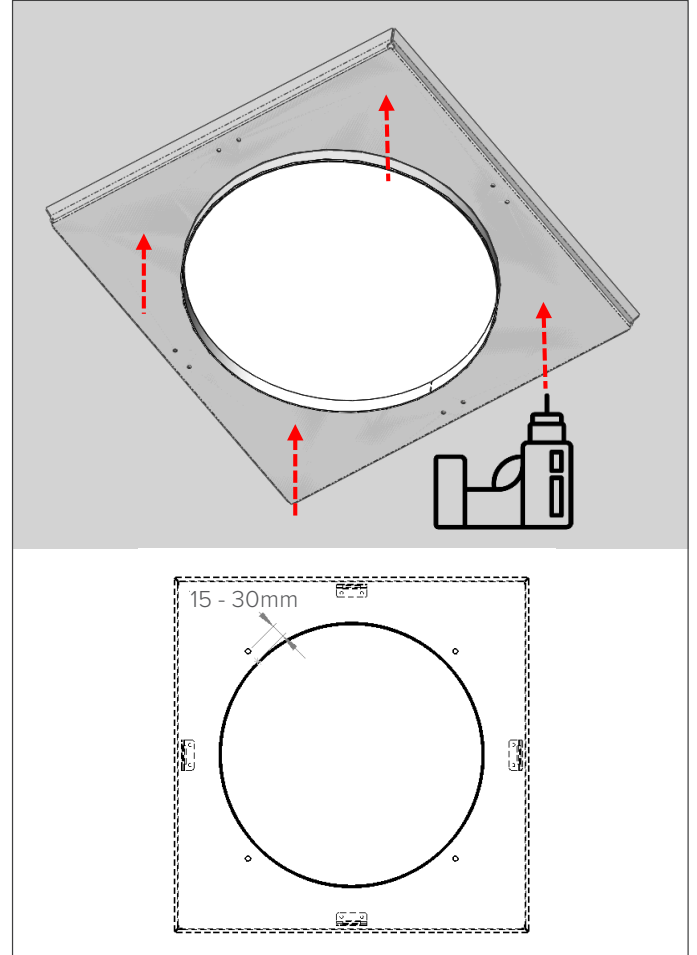


For 10mm ceiling thickness, the frame must be spaced off the top side of the ceiling sheet using 3mm packers (not supplied) under the base to raise the base flange level with the underside of the ceiling.

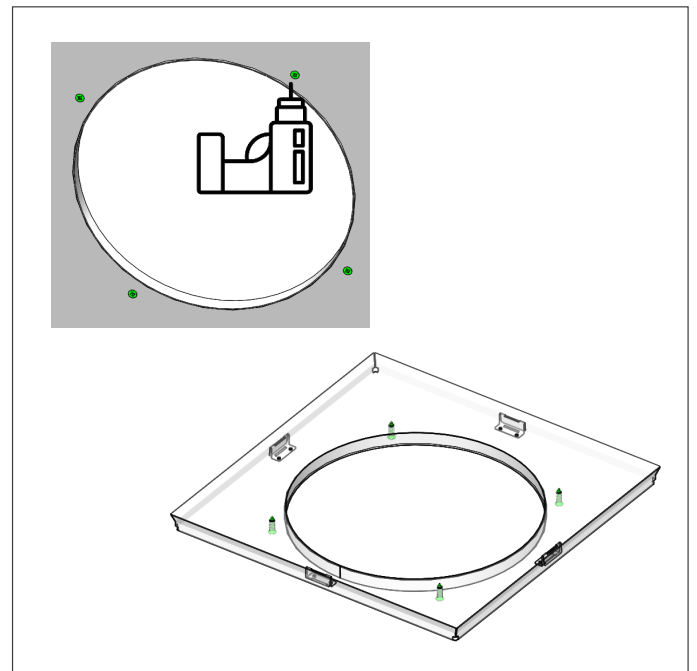


Fit frame in ceiling hole

Drill 4 x pilot hole – 3.2mm through both ceiling sheet and diffuser frame



Use impact driver to secure with 4 x screws (8g x 20 countersunk)



INSTALLATION INSTRUCTIONS

Shadowline Round Diffuser

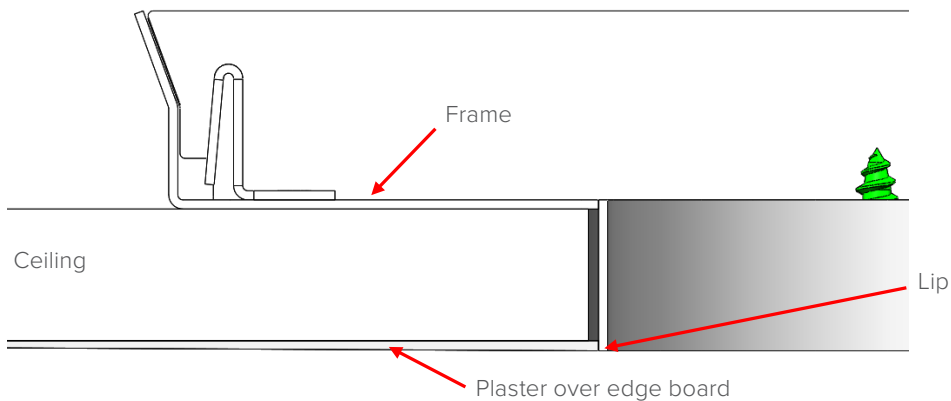
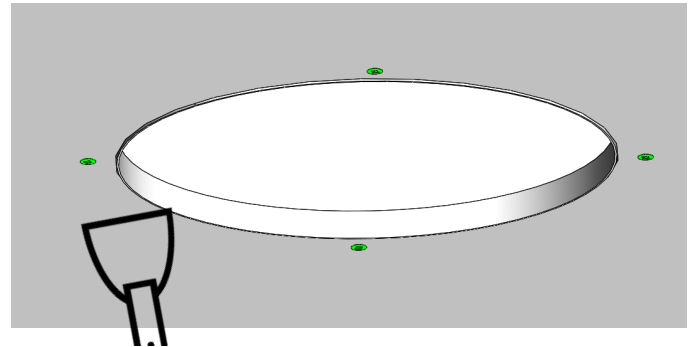
Code: 8162

exclusive to Newtech

Plaster in frame

A small lip of the frame should be protruding from the ceiling. Use this lip as a guide for the plaster tool.

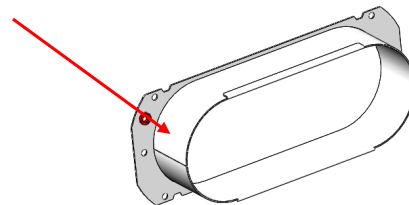
Apply plaster around the hole until the frame is completely set into the ceiling and the lip is no longer visible.



Connect to exhaust system

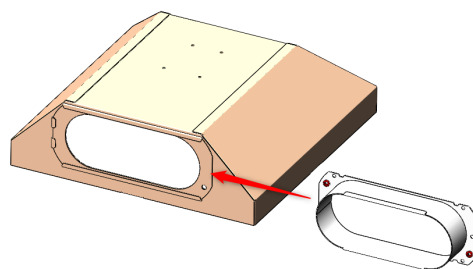
Connect the Shadowline Diffuser spigot to the flexible ducting (150mm) coming from the inline exhaust fan. Use a cable tie to deform the duct to the spigot shape. Seal the duct to the spigot with suitable duct tape (we recommend silver tape).

Recommend duct connection during rough in stage.

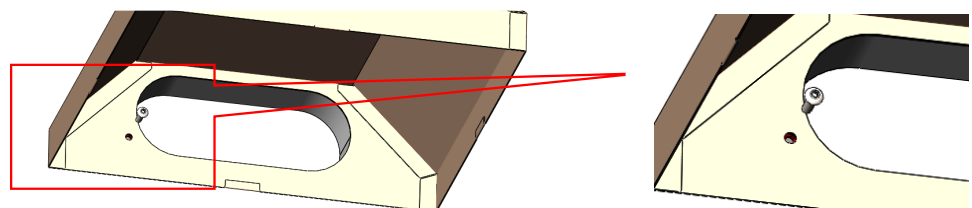


Access the plenum through the ceiling hole.

Snap-fit the spigot to the plenum.



Secure the spigot with the supplied M5 socket head screw. Screw from inside the plenum



INSTALLATION INSTRUCTIONS

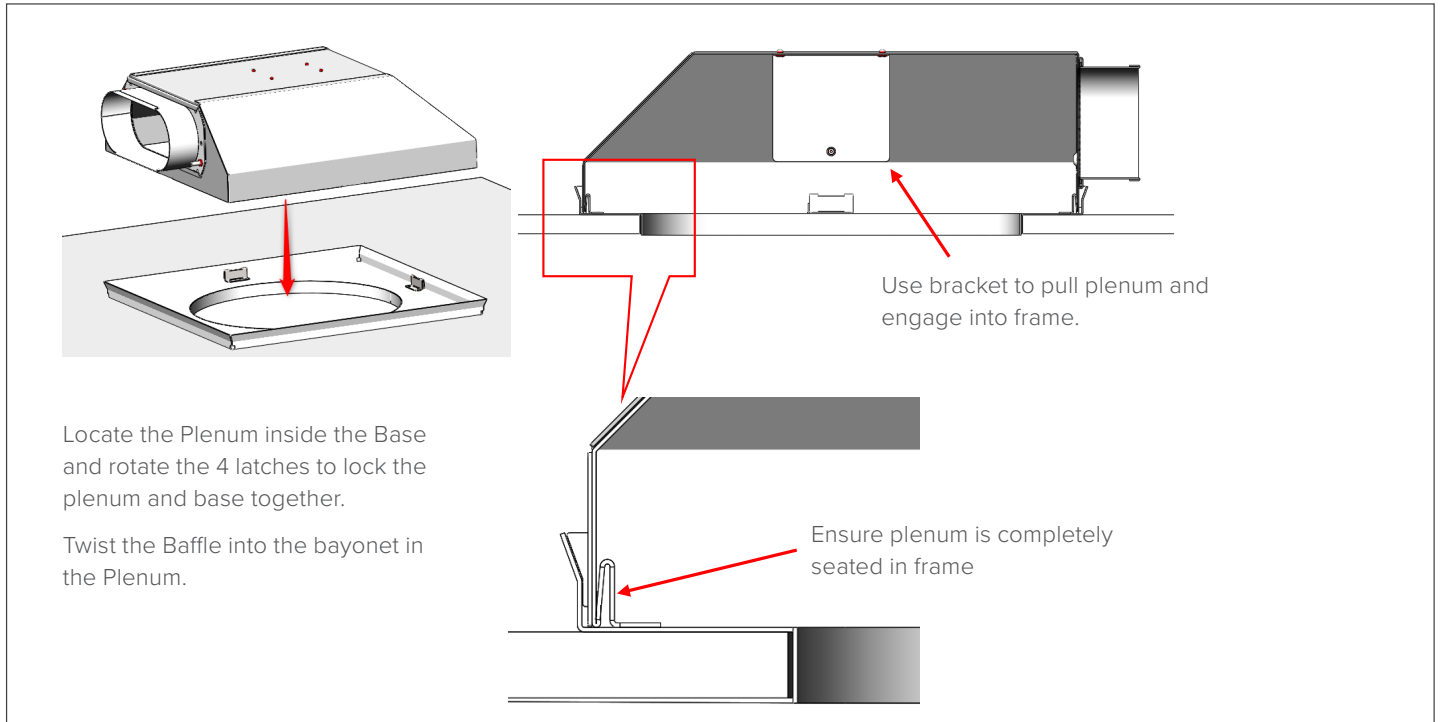
Shadowline Round Diffuser

Code: 8162

expella™
VENTILATION
SERIES

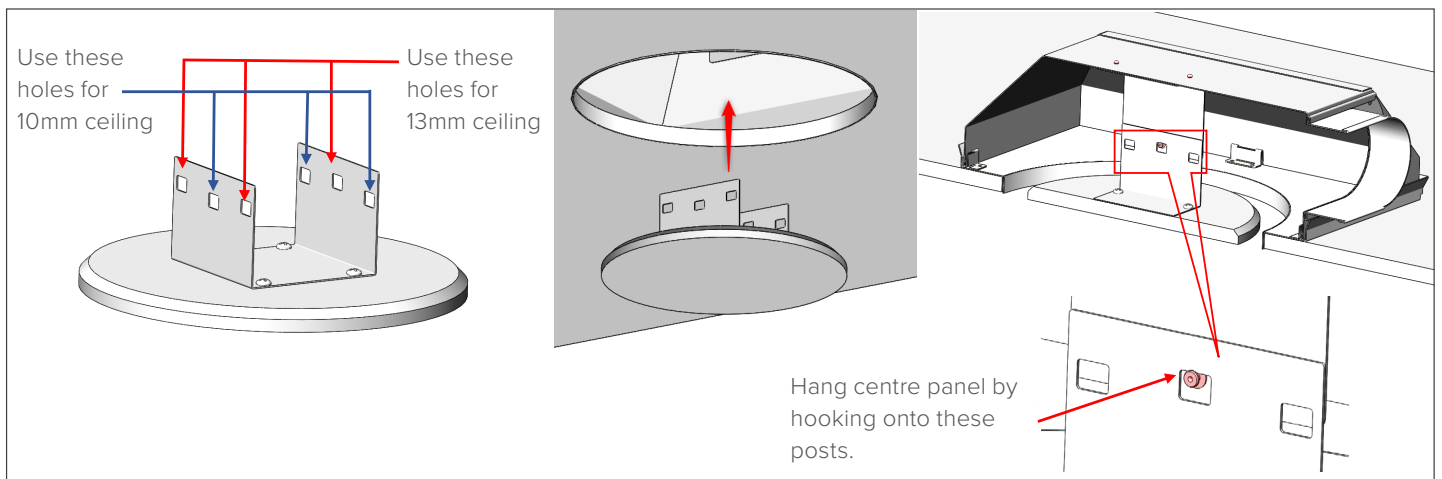
exclusive to Newtech

Install plenum into frame



Install Centre Panel

The centre panel can be hung in two orientations – one for 10mm thick ceiling sheet and one for 13mm thick ceiling sheet. Depending on your ceiling, use the square holes in the centre panel bracket indicated below. Rotate panel 180 deg to select alternate hole set. Centre panel is primed and ready for final paint finish.



Turn on exhaust system and check airflow. Ensure there are no obstructions in the ductwork.

MAINTENANCE/CLEANING

Remove centre panel for periodic cleaning. Clean with vacuum and dusting cloth.

WARRANTY

2 year warranty from date of purchase

CONTACT US



30 Mill Road, Whanganui
0800 728 662

sales@newtech.co.nz
www.newtech.co.nz